

Clippasafe



SAFETY

WIDTH
Adjustable from 72.5 to 95 cm

HEIGHT
Top of gate to floor 78 cm

Extendable Swing Shut Gate

◆ Instruction Manual

IMPORTANT - KEEP FOR FUTURE REFERENCE

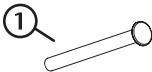
Please read carefully before fitting

- WARNING: Incorrect fitting or positioning of this safety barrier can be dangerous.
- WARNING: Do not use the safety barrier if any components are damaged or missing.
- WARNING: The safety barrier must not be fitted across windows.
- WARNING: Stop using the barrier if the child is capable of climbing it.

- ◆ This gate conforms to EN 1930:2000 when fitted as instructed.
This gate is designed for children up to the age of 24 months.
Be aware of the danger of older children climbing over the barrier.
This gate is for use as a barrier for doorways and stairs.
Check that the fixing surfaces are suitable for the purpose and are structurally sound.

A Contents

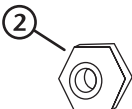
SPINDLES x 4



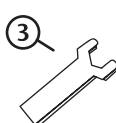
WALL CUPS x4



NUTS x 4



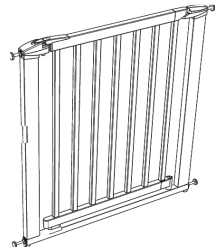
SPANNER x1



7cm EXTENSIONS x2



GATE



Note: Each 7cm extension
comprises of a vertical bar
and a top and bottom fixing

B

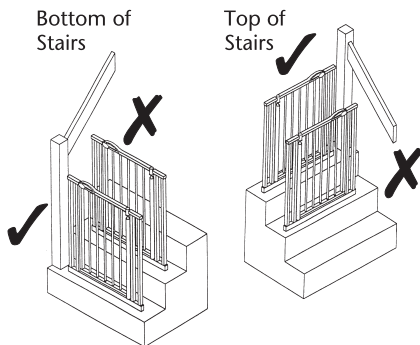
Location

WARNING - INCORRECT FITTING OR POSITIONING OF THIS SAFETY BARRIER CAN BE DANGEROUS

Fixing surfaces must be suitable for the purpose and structurally sound.

This product requires the purchase of appropriate fixing aids suitable for the surface to which the wall cups are to be fitted.

If this gate needs to be fitted to a round shaped newel post, 'Y' shaped spindles are available separately which replace the screw adjusters and wall cups supplied with this gate.



SUITABLE SURFACES

| THIS GATE OFFERS THE FOLLOWING FIXING OPTIONS: | | RIGIDLY SUPPORTED WOODEN SURFACE (eg. DOOR FRAME / SKIRTING BOARD) | UNSUPPORTED WOODEN SURFACE (eg. STAIR / NEWEL POST) | PLASTERED SURFACE | PLASTER BOARD STUD WALL - WOODEN SUPPORTING BATTEN RECOMMENDED | WALLPAPERED SURFACE | METAL SURFACE (eg. ALUMINIUM / STEEL DOOR FRAME) | PLASTIC SURFACE (eg. UPVC DOOR FRAME) | CERAMIC TILED SURFACE |
|--|--|--|---|-------------------|--|---------------------|--|---------------------------------------|-----------------------|
| ✓ | LOW PRESSURE MOUNTING WITH SCREWED WALL CUPS | ✓ | ✓ | ✓ | ✓ | ✓ | ✓ | ✓ | ✓ |

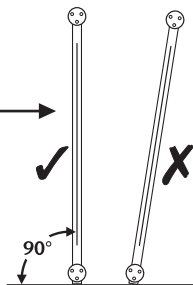
C

Pre-Installation Advice

WARNING - NEVER USE WITHOUT WALL CUPS

WARNING - GATE MUST BE FITTED UPRIGHT AS SHOWN IN ORDER FOR THE SELF-CLOSING MECHANISM TO FUNCTION CORRECTLY

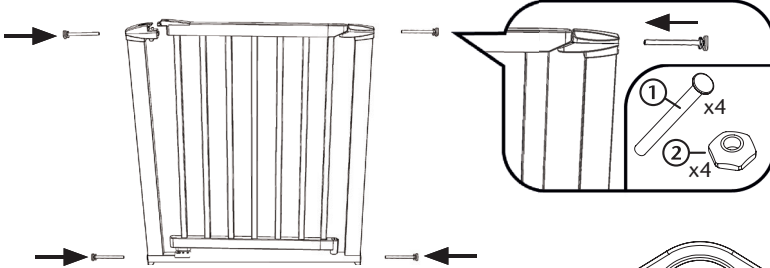
WARNING - WHEN FITTING ON A STAIRWAY ALWAYS BLOCK ONE OPENING DIRECTION SO THAT THE GATE WILL ONLY OPEN AWAY FROM THE STAIRS (see Installation Instructions).



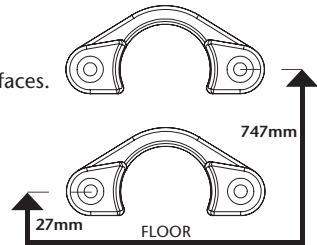
D Installation

Without extensions, this gate is suitable for openings between 72.5cm (28½in) and 81 cm (32in) wide. If gap is wider, see extension guide in section G. Fit extension(s) first, then follow instructions below.

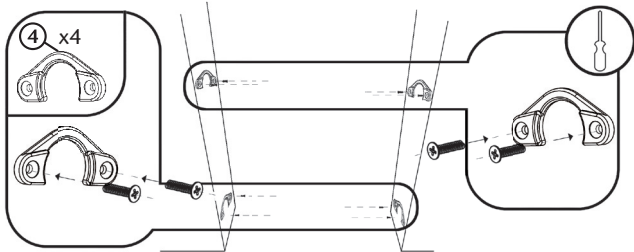
1. Insert the spindles (1) with nuts (2) into the holes in the four corners of the gate.



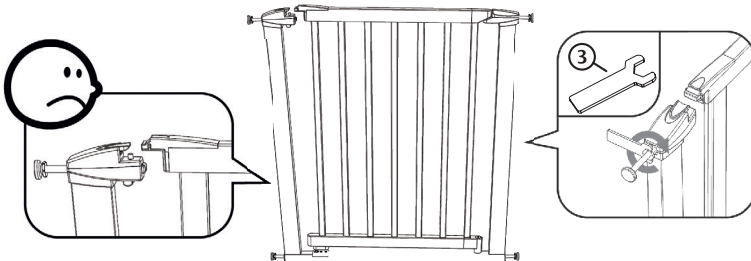
2. Mark the positions for the wall cups (4) on both wall surfaces. The holes for the lower wall fixings should be 27 mm above the floor. The holes for the upper wall cups should be 747 mm above the floor.



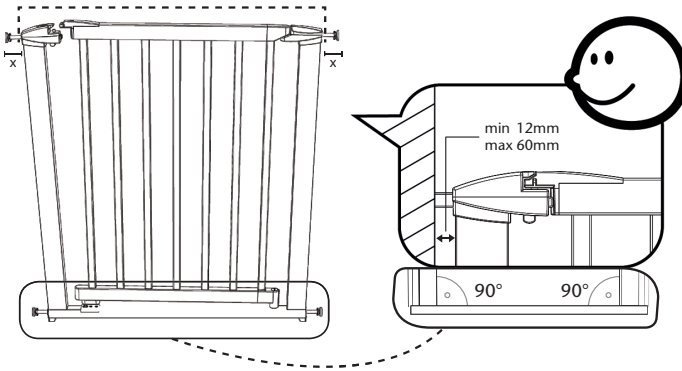
3. Fix the wall cups (4) using appropriate fixings depending on the surface. Wood screws for wood surfaces, appropriate wall-plugs and screws for brick /concrete / plaster walls and metal screws for metal surfaces. These screws and fixings are not supplied. Use Size 6 (3.5mm diameter) flat headed counter sunk screws of minimum length 25mm.



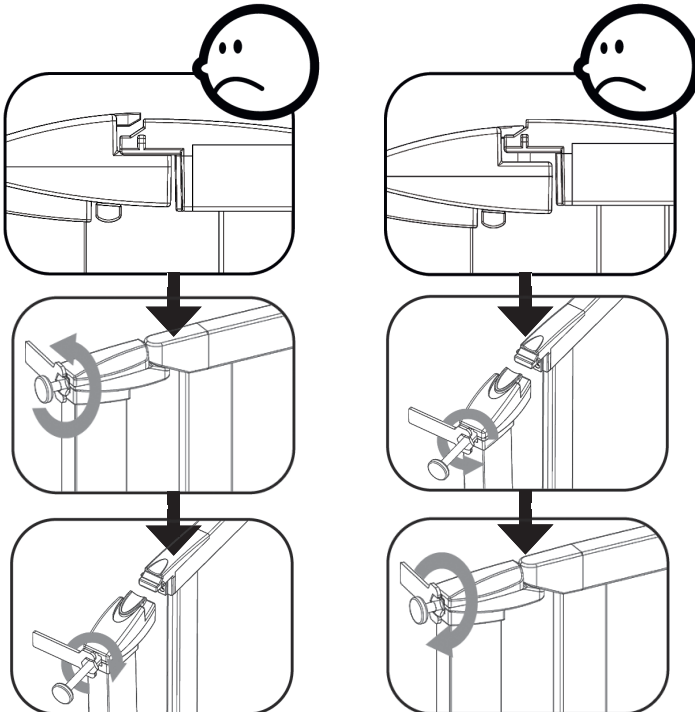
4. Place the gate into position, and locate the spindles into the wall cups. Keeping the gap between the wall and the gate equal on each side, adjust the spindles and tighten the nuts on each corner of the gate using the spanner (3).



5. The gap between the gate and the wall (x) should be no less than 12mm and no more than 60mm. The two vertical supports should be at 90° to the horizontal bottom bar.

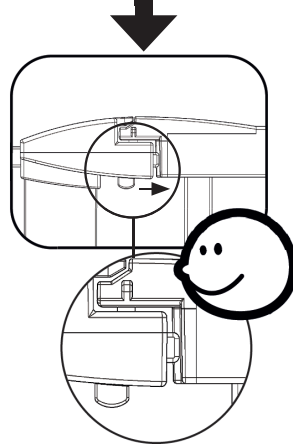
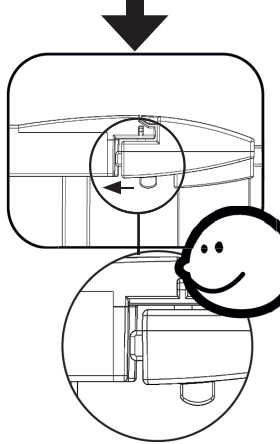
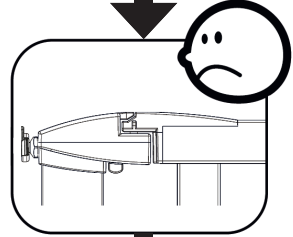
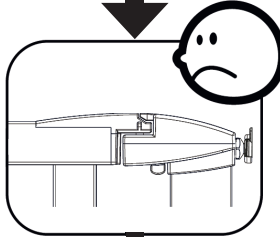
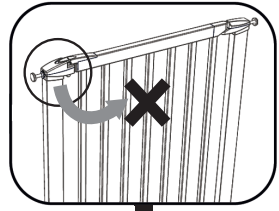
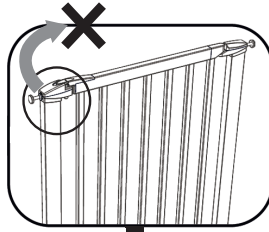


6. If the gate is too high for the latch, the spindle next to the latch should be screwed further into the frame, while the spindle on the opposite side should be unscrewed from the frame.
If the gate is too low for the latch, the spindle next to the latch should be unscrewed from the frame and the spindle on the opposite side should be screwed further into the frame.
Finally tighten all of the nuts with the spanner.



7. To block the opening direction of the gate, open one of the small catches, located on the underside of the latch mechanism, on the side which you want to block.

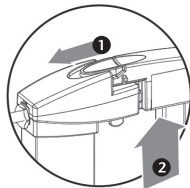
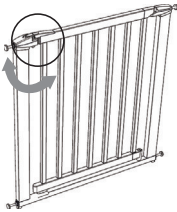
When fitting the gate at the top of a stairway, always block the opening towards the stairs, so that the gate opens away from the stairs.



E

Using the Gate

Before using the gate ensure that it is fitted correctly and is secure.

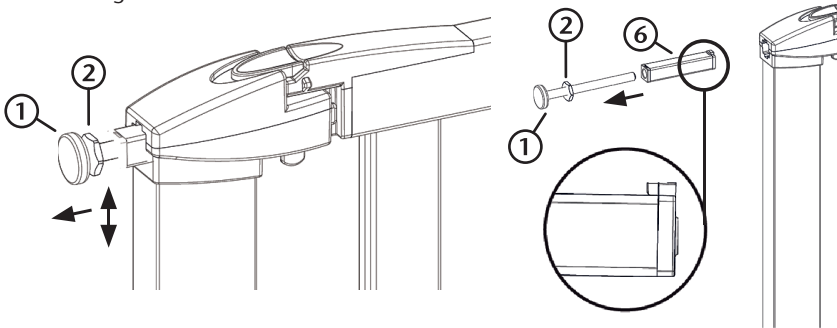


To open the gate, slide the latch (1) towards the wall and lift the gate (2). The gate should open both ways unless one opening way is blocked as shown above.

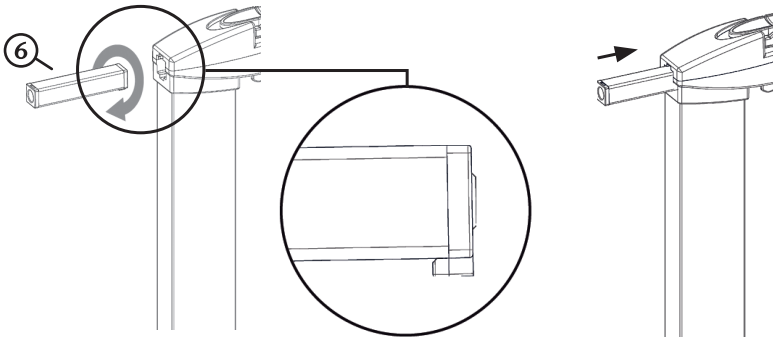
When correctly fitted, the gate will swing shut from the open position. The gate can be closed manually by holding the handle and closing the gate door until it locks into position. **Always check that the gate is closed and locked before leaving unattended.**

F Fitting a 7cm Extension

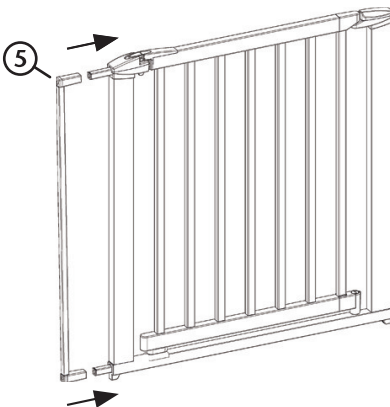
1. Remove both top and bottom spindles (1) and their casings (6) from the latch side of the gate.



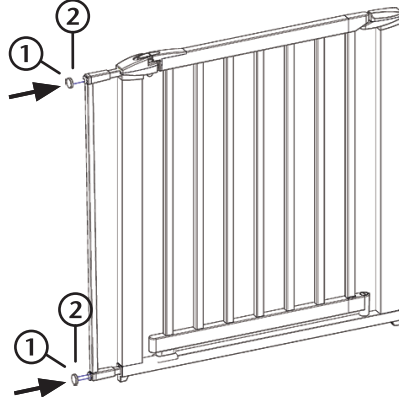
2. Turn both spindle casings (6) upside down so that the lugs point downwards and re-insert them into the frame, both top and bottom. They should now extend slightly from the frame.



3. Insert the 7cm extension (5) into the spindle casings.



4. Finally insert the spindles (1) with nuts (2) attached, into the extension.

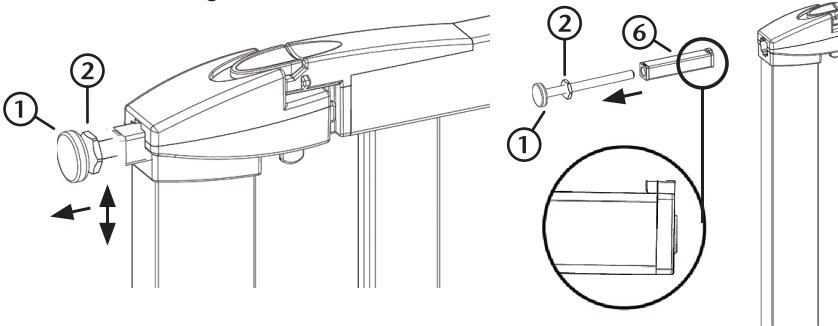


5. If a second 7cm extension is required repeat on the other side of the gate.

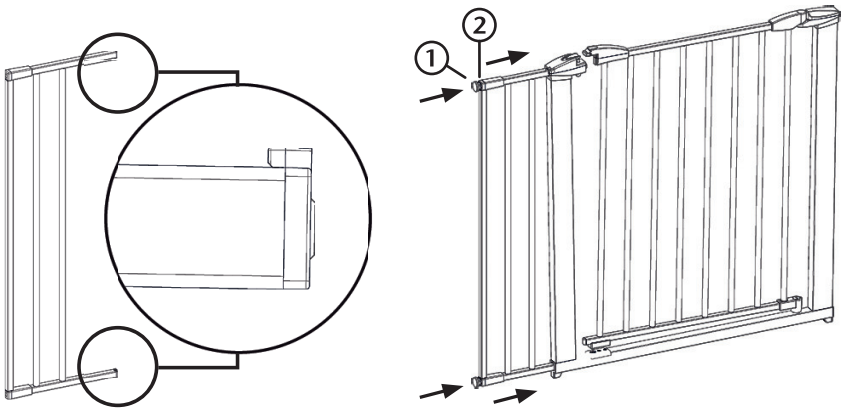


Fitting an 18cm Extension - available separately

1. Remove both top and bottom spindles (1) and their casings (6) from the latch side of the gate.



2. Place the 18cm extension directly into the frame making sure that the notches on the bars are facing upwards. Then insert the spindles (1) with nuts (2) attached into the extension, top and bottom.



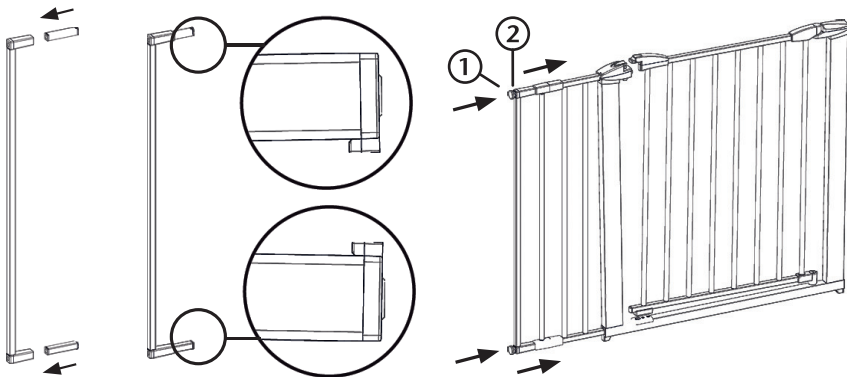
3. If a second 18cm extension is required repeat on the other side of the gate.

| EXTENSIONS REQUIRED | | | |
|---------------------|-----|------|--------|
| WIDTH | 7cm | 18cm | 7+18cm |
| 81 - 88cm | 1 | | |
| 88 - 95cm | 2 | | |
| 95 - 99cm | | 1 | |
| 99 - 106cm | 1 | 1 | |
| 106 - 113cm | 1 | | 1 |
| 113 - 117cm | | 2 | |
| 117 - 124cm | | 1 | 1 |
| 124 - 132cm | | | 2 |



Fitting a combined 7cm & 18cm Extension

1. Fit the 18cm extension first by following instruction **1** and **2** of the 18cm Extension fitting guide (G), but do not refit the spindles.
2. Insert the spindle casings into the 7cm extension. Ensure that the notch on the top casing is facing downwards and the notch on the bottom casing is facing upwards.



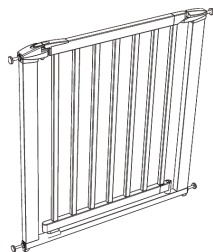
3. Insert the 7cm extension into the 18cm extension. Finally insert the spindles (1) with nuts (2) attached into the extension, top and bottom.



Maintenance

Check the gate periodically to ensure that the wall surface, wall cups, spindles and locking devices are all functioning correctly. Additional and replacement parts can be obtained by contacting the Clippasafe Customer Services Department via the Careline or e-mail address below.

Clean the gate using warm water and a mild detergent. No part of the gate requires lubrication. Never use solvents, chemicals, scouring powders or sharp tools to clean the gate.



Clippasafe Ltd

Lanthwaite Road, Clifton,
Nottingham NG11 8LD, England
Tel: 0115 921 1899
Fax: 0115 984 5554
E-mail: sales@clippasafe.co.uk

www.clippasafe.co.uk

Model No.130 - Metal Gate
Model No.132 - Wood Gate

©Clippasafe Ltd 2011 - 130+132/Feb2011

CARELINE

Clippasafe

0115 921 1899